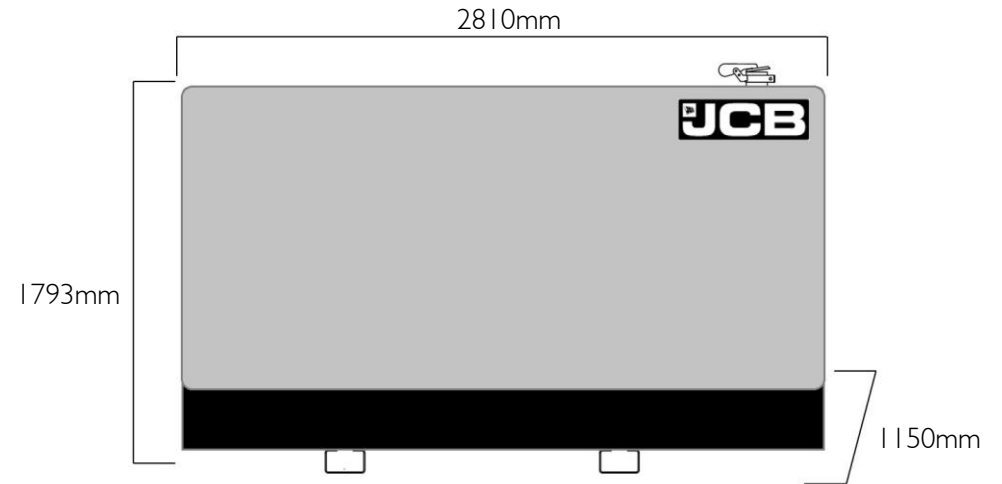


# G80RX | Rental Spec

PRIME KVA: 81.30 | STANDBY KVA 89.60



RENTAL SPECIFICATION GENERATOR

FUEL OPTIMISED

## ELECTRICAL

Frequency (Hz)	Phases	Voltage (V)	Prime		Standby		MCB Rating (A)	Minimum ATP Rating (A)	Rated Speed (RPM)
			kVA	kW	kVA	kW			
50	3	400/230V	81.30	65.00	89.60	71.70	125.00	125.00	1500
60	3	380/220V	89.30	71.40	98.80	79.00	160.00	160.00	1800
60	3	220/127V	89.30	71.40	98.80	79.00	250.00	250.00	1800
60	3	480/277V	89.30	71.40	98.80	79.00	160.00	160.00	1800

## POWER FACTOR

3 Phase	0.8
1 Phase	1

## MAXIMUM LOAD IMPACT\*

kVA	80.00
kW	64.00

\*With 20% voltage and 10% frequency deviation @ 50Hz, 400V

## ALL RATINGS ARE TO STANDARD REFERENCE CONDITIONS ISO 8528

**Prime:** This rating is for the supply of continuous electrical power, at variable load, in lieu of commercially purchase power. There is no limitation on the annual hours of operation and 10% over load power can be supplied for 1 hour in 12.

**Standby:** This rating is for the supply of continuous electrical power, at variable load, in the event of a utility power failure. No overload is permitted.

"Stage IIIa" models are only emissions compliant at 50Hz Prime Power in accordance with 97-68EC.

# G80RX | Rental Spec

PRIME KVA: 81.30 | STANDBY KVA 89.60



## CANOPY/SKID

Lockable Maintenance Access Doors	●
Control Panel Viewing Window	●
Fork Pockets	●
Single Lift Point	●
Rental Sledging Base	●
Bunding	●
Open Frame	x
Bund Level Indicator	Δ
50mm Rock Wool Sound Insulation	●
Yellow Paint	●
Red Paint	Δ
White Paint	Δ

Standard: ●      Not Available: x      Optional: Δ

## ALTERNATOR HM250A1

Poles	4
Winding Connections	Star
Insulation	Class H
Enclosure	IP23
Exciter System	Self-regulating brushless
Voltage Regulator	AVR
Steady State Voltage Regulation	+/- 1.0%
Bearing	Single bearing sealed
Coupling	Flexible disc
Cooling	Direct drive centrifugal blower fan
Coating	Winding Protection Grey

## STARTING SYSTEM

Starter Motor	kW	4.20
Battery Capacity	Ah	50
Number of Batteries		1
Auxiliary Voltage	V	12

## ENGINE

<b>1500 RPM</b>		
Output Rating (PRP)	kW	81.00
Output Rating (Standby)	kW	89.10
<b>1800 RPM</b>		
Output Rating (PRP)	kW	90.00
Output Rating (Standby)	kW	99.00
Manufacturer and Model		JCB GTC-2
Fuel		Diesel
Injection		Direct
Aspiration		Turbo Charged
Cylinders		4
Bore and Stroke	mm	103x 132
Displacement	L	4.399
Cooling		Water
Engine Oil Specification		API CH4
Compression Ratio		17.5 : 1
Engine Oil Capacity	L	14.00
Coolant Capacity	L	16.00
Governor		Mechanical
Air Filter		Single paper element
Engine Oil Consumption	100% Load	0.1% of fuel consumed

## FUEL SYSTEM

Diesel Specification		EN590
Standard Fuel Tank Capacity	L	288

## FUEL TANK OPTIONS

	Material	Capacity (L)
Standard Tank	Plastic	288
Tank Option 1	Steel	450
Tank Option 2		

# G80RX | Rental Spec

PRIME KVA: 81.30 | STANDBY KVA 89.60



## FUEL CONSUMPTION

100% Load Prime	L/h	50Hz	18.70
75% Load Prime	L/h		14.30
50% Load Prime	L/h		10.20
100% Load Standby	L/h		20.10
100% Load Prime	L/h	60Hz	23.40
75% Load Prime	L/h		17.90
50% Load Prime	L/h		13.00
100% Load Standby	L/h		25.20

## EXHAUST SYSTEM

Maximum Temperature 100% Standby	°C	50Hz	542.00
Exhaust Gas Flow 100% Standby	m <sup>3</sup> /min		367.00
Maximum Allowed Back Pressure	mbar		100.00
Maximum Temperature 100% Standby	°C	60Hz	478.00
Exhaust Gas Flow 100% Standby	m <sup>3</sup> /min		438.00
Maximum Allowed Back Pressure	mbar		100.00
Exhaust Flange Size	mm	72.5	

## AIR SYSTEM

Intake Air Flow 100% Standby	m <sup>3</sup> /h	50Hz	367.00
Total Cooling Air Flow 100% Standby	m <sup>3</sup> /s		198.00
Alternator Fan Airflow	m <sup>3</sup> /s		13.00
Intake Air Flow 100% Standby	m <sup>3</sup> /h	60Hz	410.00
Total Cooling Air Flow 100% Standby	m <sup>3</sup> /s		198.00
Alternator Fan Airflow	m <sup>3</sup> /s		13.00

## SOUND PRESSURE (CANOPY ONLY)

LpA (7m)	50Hz	dB(A)	58
LpA (7m)	60Hz	dB(A)	60

## MECHANICAL FEATURES

Cooling Pack	●
Air Filter	●
Mechanical Governor	●
Electronic Governor	Δ
High Coolant Temperature Sender	●
Low Oil Pressure Sender	●
Advanced Coolant Temperature Sender	Δ
Advanced Oil Pressure Sender	Δ
Oil Temperature Sender	●
Water Level Sender	Δ
Radiator Guards	●
Hot Component Guards	●
Manual Oil Drain Pump (Canopy)	●
Water Jacket Heater	●
Manual Fuel Fill	Δ
Electric Fuel Fill	Δ
Racor Fuel Filter (No Alarm)	x
Racor Fuel Filter (With Alarm)	x
Pre-Filter with Separator	●
External Spark Arrestor	Δ
Fuel Level Sender	●
Fuel Heater	Δ
External Fuel Fill (Belly Tank)	●
3 Way Fuel Valve and Coupling Nest	●
Residential Silencer	●
Industrial Silencer	x

Standard: ●      Not Available: x      Optional: Δ

# G80RX | Rental Spec

PRIME KVA: 81.30 | STANDBY KVA 89.60



## ELECTRICAL FEATURES

AVR DSR	●
AVR DER	x
Winding Protection Standard	x
Winding Protection Standard +	x
Winding Protection Grey	●
Winding Protection Total	Δ
Winding Protection Total +	Δ
MAUX	●
PMG	Δ
Anti-Condensation Heater	Δ
Miniature Circuit Breaker (Integrated busbar)	●
Moulded Case Circuit Breaker (with integrated busbar)	x
Earth Leakage Protection (Shunt Trip)	●
Synchronisation	Δ
Socket Box (inclusive of heavy duty busbar & micro switch)	●
Preparation for Earth Spike	●
Optional Voltages	Δ
Remote Screen	Δ
Panel Door Micro Switch	●
Copper Busbar/Tails	●
Emergency Stop Button	●
External Emergency Stop Button	●
Standard: ● Not Available: x Optional: Δ	

## BATTERY FEATURES

Battery Isolator	●
Battery Type	Gel
Battery Size (Ah)	50
Number of Batteries	1
Optional Battery	x
Battery Charger	●
Standard: ● Not Available: x Optional: Δ	

## JCB COMMUNICATION AND CONTROL

KS1	x
CPI	●
CP2	Δ
ATP	Δ
CAN/USB	Δ
CAN/LAN	Δ
CAN RS-232	Δ
Remote Modem	Δ
Standard: ● Not Available: x Optional: Δ	

## SYNCHRONISATION PANEL (OPTION)

DSE8610	Δ
DSE8620	Δ
Standard: ● Not Available: x Optional: Δ	

## WEIGHT AND DIMENSIONS

Length	mm	2810
Width	mm	1150
Height	mm	1793
Shipping Volume (sea ready)	m <sup>3</sup>	5.79
Weight*	Kg	1720.00

\*Standard build with all fluids except fuel

## REFERENCE STANDARDS

JCB Generators are CE certified and conform to the following Directives (subject to a country requiring such standard):

- EN 12100, EN13857, EN60204
- 2006/42/CE Machinery safety
- 2006/95/EC Low voltage
- 2004/108/CE Electromagnetic compatibility
- 2000/14/EC Sound Power Level (amended by 2005/88/EC)
- 97/68/EC Emissions(amended by 2002/88/EC & 2004/26/EC)
- Power according to ISO 8528 and ISO 3046
- Ambient reference conditions 1000mbar, 25°C, 30% relative humidity ISO3046

Information based on standard specification equipment unless otherwise stated.