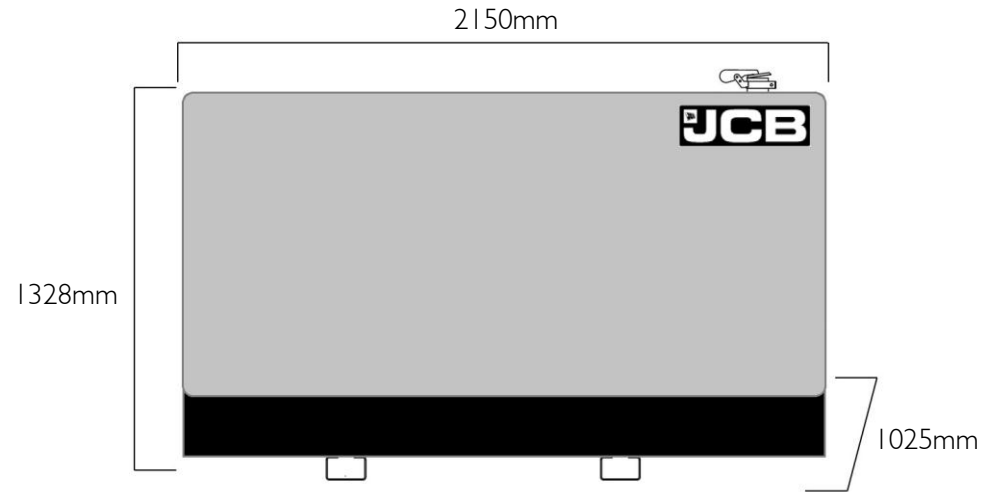


G31RX | Rental Spec

PRIME kVA: 34.00 | STANDBY kVA 37.00



RENTAL SPECIFICATION GENERATOR

STAGE IIIA

ELECTRICAL

Frequency (Hz)	Phases	Voltage (V)	Prime		Standby		MCB Rating (A)	Minimum ATP Rating (A)	Rated Speed (RPM)
			kVA	kW	kVA	kW			
50	3	400/230V	34.00	27.00	37.00	30.00	50.00	50.00	1500
50	1	230V	26.00	26.00	28.00	28.00	80.00	100.00	1500

POWER FACTOR

3 Phase	0.8
1 Phase	1

MAXIMUM LOAD IMPACT*

kVA	34.00
kW	27.00

*With 20% voltage and 10% frequency deviation @ 50Hz, 400V

ALL RATINGS ARE TO STANDARD REFERENCE CONDITIONS ISO 8528

Prime: This rating is for the supply of continuous electrical power, at variable load, in lieu of commercially purchase power. There is no limitation on the annual hours of operation and 10% over load power can be supplied for 1 hour in 12.

Standby: This rating is for the supply of continuous electrical power, at variable load, in the event of a utility power failure. No overload is permitted.

"Stage IIIa" models are only emissions compliant at 50Hz Prime Power in accordance with 97-68EC.

JCB GENERATOR TECHNICAL SPECIFICATIONS. Tel: +44 (0)1889 590312. www.jcbgenerators.com. JCB reserves the right to change specifications without notice. Illustrations shown may include optional equipment and accessories.

G3IRX | Rental Spec

PRIME KVA: 34.00 | STANDBY KVA 37.00



CANOPY/SKID

Lockable Maintenance Access Doors	●
Control Panel Viewing Window	●
Fork Pockets	●
Single Lift Point	●
Rental Sledging Base	●
Bunding	●
Open Frame	x
Bund Level Indicator	Δ
50mm Rock Wool Sound Insulation	●
Yellow Paint	●
Red Paint	Δ
White Paint	Δ

Standard: ● Not Available: x Optional: Δ

ALTERNATOR HM 200 A2

Poles	4 pole
Winding Connections	Star (3Ph) / Parallel (1Ph)
Insulation	Class H
Enclosure	IP23
Exciter System	Self-regulating brushless
Voltage Regulator	AVR
Steady State Voltage Regulation	+/- 1.0%
Bearing	Single bearing sealed
Coupling	Flexible disc
Cooling	Direct drive centrifugal blower fan
Coating	Winding Protection Standard +

STARTING SYSTEM

Starter Motor	kW	2.30
Battery Capacity	Ah	92
Number of Batteries		1
Auxiliary Voltage	V	12

ENGINE

1500 RPM		
Output Rating (PRP)	kW	30.70
Output Rating (Standby)	kW	34.10
Manufacturer and Model		Yanmar 4TNV98 IGEHR
Fuel		Diesel
Injection		Direct
Aspiration		Natural
Cylinders		4
Bore and Stroke	mm	98 x 110
Displacement	L	3.319
Cooling		Water
Engine Oil Specification		SAE 3 Class 10W30 / IPE Grade CD,CF
Compression Ratio		18.5:1
Engine Oil Capacity	L	10.40
Coolant Capacity	L	9.00
Governor		Mechanical
Air Filter		Dry
Engine Oil Consumption	100% Load	0.27 g/kWh

FUEL SYSTEM

Diesel Specification		EN590
Standard Fuel Tank Capacity	L	100

FUEL TANK OPTIONS

	Material	Capacity (L)
Standard Tank	Plastic	100
Tank Option 1	Steel	190
Tank Option 2		

G31RX | Rental Spec

PRIME KVA: 34.00 | STANDBY KVA 37.00



FUEL CONSUMPTION

100% Load Prime	L/h	50Hz	7.60
75% Load Prime	L/h		8.52
50% Load Prime	L/h		4.05
100% Load Standby	L/h		8.53

EXHAUST SYSTEM

Maximum Temperature 100% Standby	°C	50Hz	550.00
Exhaust Gas Flow 100% Standby	m ³ /min		8.52
Maximum Allowed Back Pressure	mbar		127.00
Exhaust Flange Size	mm	65.00	

AIR SYSTEM

Intake Air Flow 100% Standby	m ³ /h	50Hz	134.42
Total Cooling Air Flow 100% Standby	m ³ /s		0.979
Alternator Fan Airflow	m ³ /s		0.09

SOUND PRESSURE (CANOPY ONLY)

LpA (7m)	50Hz	dB(A)	60
----------	------	-------	----

MECHANICAL FEATURES

Cooling Pack	●
Air Filter	●
Mechanical Governor	●
Electronic Governor	x
High Coolant Temperature Sender	●
Low Oil Pressure Sender	●
Advanced Coolant Temperature Sender	Δ
Advanced Oil Pressure Sender	Δ
Oil Temperature Sender	●
Water Level Sender	x
Radiator Guards	●
Hot Component Guards	●
Manual Oil Drain Pump (Canopy)	●
Water Jacket Heater	●
Manual Fuel Fill	Δ
Electric Fuel Fill	Δ
Racor Fuel Filter (No Alarm)	x
Racor Fuel Filter (With Alarm)	●
Pre-Filter with Separator	x
External Spark Arrestor	Δ
Fuel Level Sender	●
Fuel Heater	Δ
External Fuel Fill (Belly Tank)	●
3 Way Fuel Valve and Coupling Nest	●
Residential Silencer	●
Industrial Silencer	x

Standard: ● Not Available: x Optional: Δ

G3IRX | Rental Spec

PRIME KVA: 34.00 | STANDBY KVA 37.00



ELECTRICAL FEATURES

AVR DSR	●
AVR DER	x
Winding Protection Standard	x
Winding Protection Standard +	●
Winding Protection Grey	Δ
Winding Protection Total	Δ
Winding Protection Total +	Δ
MAUX	●
PMG	Δ
Anti-Condensation Heater	Δ
Miniature Circuit Breaker (Integrated busbar)	●
Moulded Case Circuit Breaker (with integrated busbar)	x
Earth Leakage Protection (Shunt Trip)	●
Synchronisation	x
Socket Box (inclusive of heavy duty busbar & micro switch)	●
Preparation for Earth Spike	●
Optional Voltages	Δ
Remote Screen	Δ
Panel Door Micro Switch	●
Copper Busbar/Tails	●
Emergency Stop Button	●
External Emergency Stop Button	●
Standard: ● Not Available: x Optional: Δ	

BATTERY FEATURES

Battery Isolator	●
Battery Type	Dry
Battery Size (Ah)	66
Number of Batteries	1
Optional Battery	Wet
Battery Charger	●
Standard: ● Not Available: x Optional: Δ	

JCB COMMUNICATION AND CONTROL

KS1	x
CPI	●
CP2	Δ
ATP	Δ
CAN/USB	Δ
CAN/LAN	Δ
CAN RS-232	Δ
Remote Modem	Δ
Standard: ● Not Available: x Optional: Δ	

WEIGHT AND DIMENSIONS

Length	mm	2150
Width	mm	1025
Height	mm	1328
Shipping Volume (sea ready)	m ³	2.93
Weight*	Kg	985.00

**Standard build with all fluids except fuel*

REFERENCE STANDARDS

JCB Generators are CE certified and conform to the following Directives (subject to a country requiring such standard):

- EN 12100, EN13857, EN60204
 - 2006/42/CE Machinery safety
 - 2006/95/EC Low voltage
 - 2004/108/CE Electromagnetic compatibility
 - 2000/14/EC Sound Power Level (amended by 2005/88/EC)
 - 97/68/EC Emissions(amended by 2002/88/EC & 2004/26/EC)
 - Power according to ISO 8528 and ISO 3046
 - Ambient reference conditions 1000mbar, 25°C, 30% relative humidity ISO3046
- Information based on standard specification equipment unless otherwise stated.